

UXT series

1,600kg / 1,800kg / 2,000kg

Three wheel electric forklift trucks



- Ergonomically designed Operator Compartment
- Easy to maintain and service
- High visibility masts and optional integral side shift
- Highly responsive steering optimises manoeuvrability

VDI 2198 – General Specifications

			Yale	Yale	Yale	
Distinguishing mark	1.1	Manufacturer (abbreviation)		Yale	Yale	
	1.2	Manufacturer's type designation		UXT16	UXT18	UXT20
	1.3	Drive: electric (battery or mains), diesel, petrol, fuel gas		Electric (battery)	Electric (battery)	Electric (battery)
	1.4	Operation: manual, pedestrian, stand, seat, orderpicker		Seated	Seated	Seated
	1.5	Rated capacity/rated load	Q (t)	1600	1800	1800
	1.6	Load centre	c (mm)	500	500	500
	1.8	Load centre distance	x (mm)	371	371	371
	1.9	Wheelbase	y (mm)	1400	1400	1515
	Weights	2.1	Unladen weight (max. battery)	kg	3120	3190
2.2		Axle loading, laden front/rear (max. battery)	kg	4010 / 660	4420 / 510	4870 / 580
2.3		Axle loading, unladen front/rear (max. battery)	kg	1480 / 1640	1500 / 1690	1580 / 1810
Tyres/chassis	3.1	Tyres: P = pneumatic, V = cushion SE = superelastic		SE	SE	SE
	3.2	Tyre size, front	ø mm x mm	18*7-8	18*7-8	200 / 50-10
	3.3	Tyre size, rear	ø mm x mm	15*4 1 / 2-8	15*4 1 / 2-8	15*4 1 / 2-8
	3.5	Wheels, number front/rear (x = driven wheels)		2 x / 2	2 x / 2	2 x / 2
	3.6	Tread, front	b10 (mm)	933	933	952
	3.7	Tread, rear	b11 (mm)	186	186	186
	Dimensions	4.1	Mast tilt, forward / backward	degrees	6.15 / 6.75	6.15 / 6.75
4.2		Height of mast, lowered	h1 (mm)	1992	1992	1990
4.3		Free lift, ⁽²⁾	h2 (mm)	35	35	54
4.4		Lift height, ⁽²⁾	h3 (mm)	3036	3036	3045
4.5		Height of mast, extended ⁽⁴⁾	h4 (mm)	4030	4030	4000
4.7		Height to top of overhead guard ⁽⁵⁾	h6 (mm)	2002	2002	2004
4.8		Seat height ⁽³⁾	h7 (mm)	965	965	965
4.12		Towing coupling height	h10 (mm)	445	445	485
4.19		Overall length(with forks)	l1 (mm)	2894	2894	3153
4.20		Length to face of forks	l2 (mm)	1974	1974	2084
4.21		Overall width	b1 /b2 (mm)	1084	1084	1140
4.22		Fork dimensions	s/e/l (mm)	35 / 100 / 920	35 / 100 / 920	40 / 120 / 1070
4.23		Fork carriage DIN 15173. Class, A/B		ISO2328 2A	ISO2328 2A	ISO 2328 2A
4.24		Fork carriage width ⁽⁴⁾	b3 (mm)	951	951	950
4.25		Width over forks	b5 (mm)	200 /890	200 /890	240 /890
4.31		Ground clearance, laden, below mast	m1 (mm)	89	89	88
4.32		Ground clearance at centre of wheelbase	m2 (mm)	96	96	95
4.34.1	Aisle width with pallets 1000mm long x 1200mm wide	Ast (mm)	3290	3290	3445	
4.34.2	Aisle width with pallets 800mm wide x 1200mm long	Ast (mm)	3415	3415	3410	
4.35	Outer turning radius	Wa (mm)	1601	1601	1716	
Performance data	5.1	Travel speed laden/unladen	km/h	14 / 16	14 / 16	14 / 16
	5.2	Lifting speed laden/unladen	m/s	352 / 500	349 / 500	310 / 500
	5.3	Lowering speed laden/unladen	m/s	411 / 485	425 / 485	425 / 485
	5.5	Drawbar pull laden/unladen, 60 minute rating	N	NA	NA	NA
	5.6	Maximum drawbar pull laden/unladen, 5 minute rating	N	15500 / 10000	15000 / 10500	15500 / 12000
	5.6.1	Maximum drawbar pull laden/unladen, 3 minute rating		NA	NA	NA
	5.7	Gradeability with/without load, 30 minute rating,	%	NA	NA	NA
	5.8	Maximum Gradeability with/without load, 5 minute rating	%	20 /30	20 /30	20 /30
	5.8.1	Maximum drawbar pull laden/unladen, 3 minute rating		NA	NA	NA
	5.9	Acceleration time with/without load 10m	sec	4.46 / 4.35	4.46 / 4.35	5.98 / 5.63
5.9.1	Acceleration time with/without load 15m		5.79 / 5.51	5.79 / 5.51	6.95 / 6.79	
5.10	Service brake		Hydraulic	Hydraulic	Hydraulic	
Electric engine	6.1	Drive Motor Rating, S2, 60min	kW	2 x 5	2 x 5	2 x 5
	6.2	Lifting motor, S3 15% rating	kW	11	11	11
		Steering motor		NA	NA	NA
	6.3	Battery DIN 43531 /35 /36 A, B, C, no	No	43531A	43531A	43531A
	6.4	Battery voltage / capacity (5hr rate)	(V)/(Ah)	48 / 500	48 / 500	48 / 640
	6.5	Battery weight (min/max)	kg	945	945	1088
6.6	Battery dimensions	l/w/h (mm)	830 / 630 / 627	830 / 630 / 627	830 / 738 / 627	
6.6	Power consumption in accordance with VDI cycle	kWh/h	5.19	5.30	5.7	
7.6	Turn over	t/h	102t/h	105t/h	NA	
8.1	Drive control		ACE2 2uC	ACE2 2uC	AC	
8.2	Manufacturer		ZAPI	ZAPI	ZAPI	
Additional data	10.1	Operating pressure for attachments ⁽⁶⁾	bar	145	175	175
	10.2	Oil volume for attachments	litres/min.	38	38	38
	10.7	Average noise level at operator's ear ⁽¹⁾	dB(A)	64.8	64.8	69.6
	10.8	Towing coupling, type DIN		Ø32	Ø32	Ø32
	10.3	Hydraulic Tank - capacity (drain & refill)	litres	32	32	32
	10.6	Number of steering rotation		4	4	4
	Steering force		10N	10N	10	

⁽¹⁾ LPAZ, measured according to the test cycles and based on the weighting values contained in EN12053

⁽⁶⁾ h6 subject to +/- 5 mm tolerance

⁽⁶⁾ Variable

⁽²⁾ Bottom of forks

⁽³⁾ Full suspension specified

⁽⁴⁾ Without load backrest

All values are nominal values and they are subject to tolerances.
For further information, please contact the manufacturer.
Yale products might be subject to change without notice.

Lift trucks illustrated may feature optional equipment.
Values may vary with alternative configurations.

ERP16-20UXT - Mast details and capacity ratings (kg) - Superelastic tyres

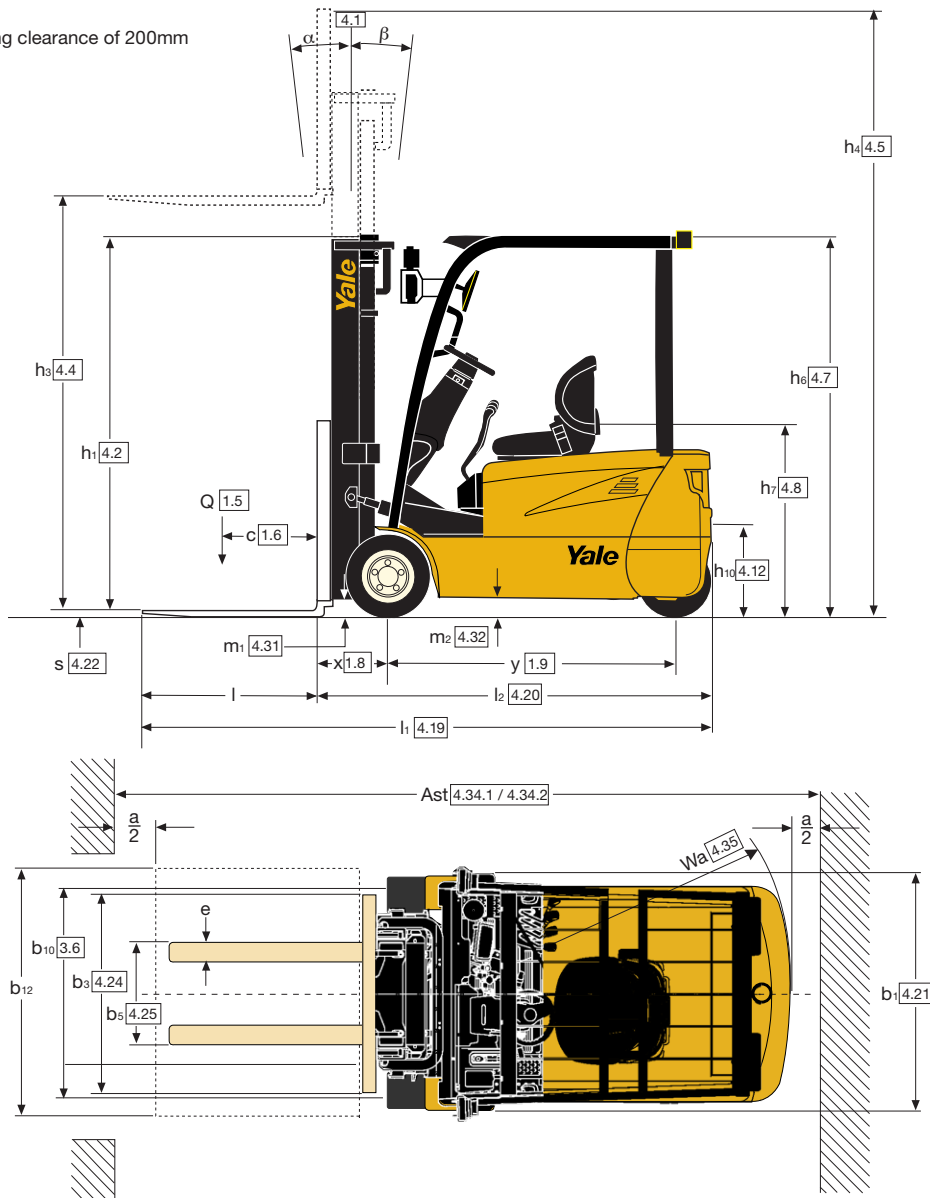
Mast	Type	Max. lift height (mm)	Overall Extended Height			Free Lift		Load Distance (mm)	Mast Tilt		Load Capacity		
			Lowered height (mm)	Lift Height		Without LBR (mm)	With LBR (mm)		F°	B°	Load center (500mm)		
				Without LBR (mm)	With LBR (mm)						Single Tyre (kg)		
											16UXT	18UXT	20UXT
2 Stage LFL	BM300	3000	1975	3490	4010	0	0	376	6.5	6.5	1600	1800	2000
	BM330	3300	2125	3790	4310	0	0	376	6.5	6.5	1600	1800	2000
	BM350	3500	2225	3990	4510	0	0	376	6.5	6.5	1600	1800	2000
	BM370	3700	2325	4190	4710	0	0	376	6.5	6.5	1600	1800	2000
	BM400	4000	2525	4490	5010	0	0	376	3.5	5	1600	1800	2000
	BM450	4500	2775	4990	5510	0	0	376	3.5	5	1400	1600	1800
	BM500	5000	3025	5490	6010	0	0	376	3.5	5	1250	1450	1500
	BM550	5500	3325	5990	6510	0	0	376	3.5	5	1150	1200	1300
2 Stage FFL	BFM300	3000	1975	3490	4010	1510	990	376	3.5	6.5	1600	1800	2000
	BFM330	3300	2125	3790	4310	1660	1140	376	3.5	6.5	1600	1800	2000
	BFM350	3500	2225	3990	4510	1760	1240	376	3.5	6.5	1600	1800	2000
	BFM370	3700	2325	4190	4710	1860	1340	376	3.5	6.5	1600	1800	2000
	BFM400	4000	2525	4490	5010	2060	1540	376	3.5	5	1600	1800	2000
3 Stage FFL	BTFM400	4000	1850	4490	5010	1385	865	376	3.5	5	1600	1800	2000
	BTFM435	4350	1975	4840	5360	1510	990	376	3.5	5	1500	1700	1900
	BTFM450	4500	2025	4990	5510	1560	1040	376	3.5	5	1400	1600	1800
	BTFM480	4800	2125	5290	5810	1660	1140	376	3.5	5	1300	1500	1650
	BTFM500	5000	2225	5490	6010	1760	1240	376	3.5	5	1250	1450	1500
	BTFM550	5500	2390	5990	6510	1925	1405	376	3.5	5	1150	1200	1300
	BTFM600	6000	2575	6490	7010	2110	1590	376	3.5	5	1050	1100	1200
	BTFM650	6500	2790	6990	7510	2325	1805	376	3.5	5	900	950	1000

Truck Dimensions

$$Ast = Wa + x + l_6 + a$$

a = Minimum operating clearance of 200mm

l₆ = Load length



UXT series

Models: ERP16UXT, ERP18UXT, ERP20UXT



Visibility

The overhead guard has been designed to provide the operator with excellent all round visibility.

Hoses are routed to allow a clear view of the load and forks.

Operator Comfort

Operator compartment is ergonomically designed to offer a practical and comfortable working environment for the driver. A large step gives easy access.

An LCD display provides the driver with the necessary operating information at a glance.

Adjustable steering column has a 8° range for maximum comfort.

A standard overhead guard, partial or full cabins are all available to meet different customer requirements.

The full cab has steel doors and front and rear screens with wash/wipe function with heater options also available.

LED marker lights and work lights are offered as standard, which eliminates the cost of bulb replacement.

Rear drive handle with integrated horn button mounted on the right rear guard leg is available.

Electronics

AC Technology features brushless motors that are protected against the ingress of dirt and water, which minimises damage and servicing costs. Roll-back is almost eliminated and higher travel speeds are attainable.

The drive and hoist systems are fully adjustable to suit the application and multiple performance parameters can be adjusted to suit the type of load, operating environment and skill of the driver. In-built diagnostics record intermittent faults and service requirements, which help reduce expensive service time.

AC Controllers optimise battery power,

particularly helpful on ramps and long runs as well as high lifts.

The truck is available with a 48V battery with 500-640Ah capacity.

Manoeuvrability

Highly responsive steering optimises manoeuvrability in confined spaces. Proven transmission provides smooth movement and changes of direction.

Dimensions of the truck ensure effective operation in most aisles without sacrificing driver comfort and visibility.

Load Handling

The robustly constructed mast provides optimal visibility with the auxiliary hoses centred on the free lift cylinder to eliminate hose twisting.

Positive hose retention and large radius bends are employed to minimise hose scuffing, maximising life.

Masts are offered with a tilt option, the tilt cylinder anchors are widely spaced to increase lateral stiffness and visibility.

A range of Class II LFL and FFL masts are available along with carriages including integrated side shift carriages to make load handling easy and convenient.

Hydraulic control

The ergonomically positioned control levers provide precise control, available with 2 and 3 function hydraulics.

Optional integral side shift carriage assists precise load handling.

Reliability

The truck has a durable construction with a one piece welded frame.

Mast tilt cylinders are sealed to minimize contamination.

Optimum performance and a long working life is ensured by using high-quality components.

Serviceability

Yale trucks are backed up by a 2000 hour warranty and comprehensive parts availability and are easy to maintain and service.

Access to the key components and daily checks is easy thanks to the 70° hood opening, held open with a locked gas spring.




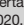
Yale Europe Materials Handling

Centennial House
Frimley Business Park
Frimley, Surrey GU16 7SG
United Kingdom

Tel: +44 (0) 1276 538500
Fax: +44 (0) 1276 538559

www.yale.com

Publication part no. 220991268 Rev.00 Printed in The Netherlands (0820HG) EN.

HYSTER-YALE UK LIMITED trading as Yale Europe Materials Handling. Specification is subject to change without notice. Yale, VERACITOR and  are registered trademarks. "PEOPLE, PRODUCTS, PRODUCTIVITY", PREMIER, Hi-Vis, and CSS are trademarks in the United States and certain other jurisdictions. MATERIALS HANDLING CENTRAL and MATERIAL HANDLING CENTRAL are Service Marks in the United States and certain other jurisdictions.  is a Registered Copyright. © Yale Europe Materials Handling 2020. All rights reserved. Truck shown with optional equipment. Country of Registration: England and Wales. Company Registration Number: 02636775

